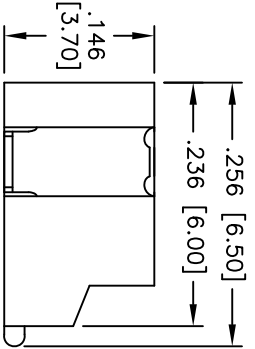
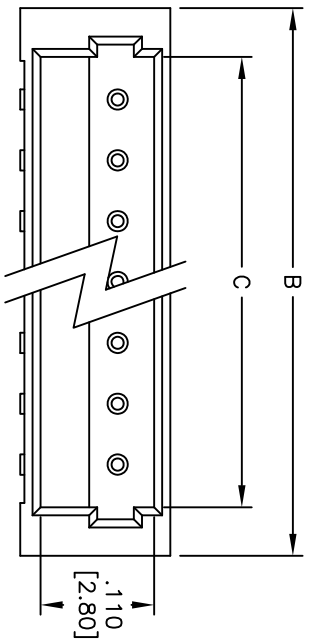
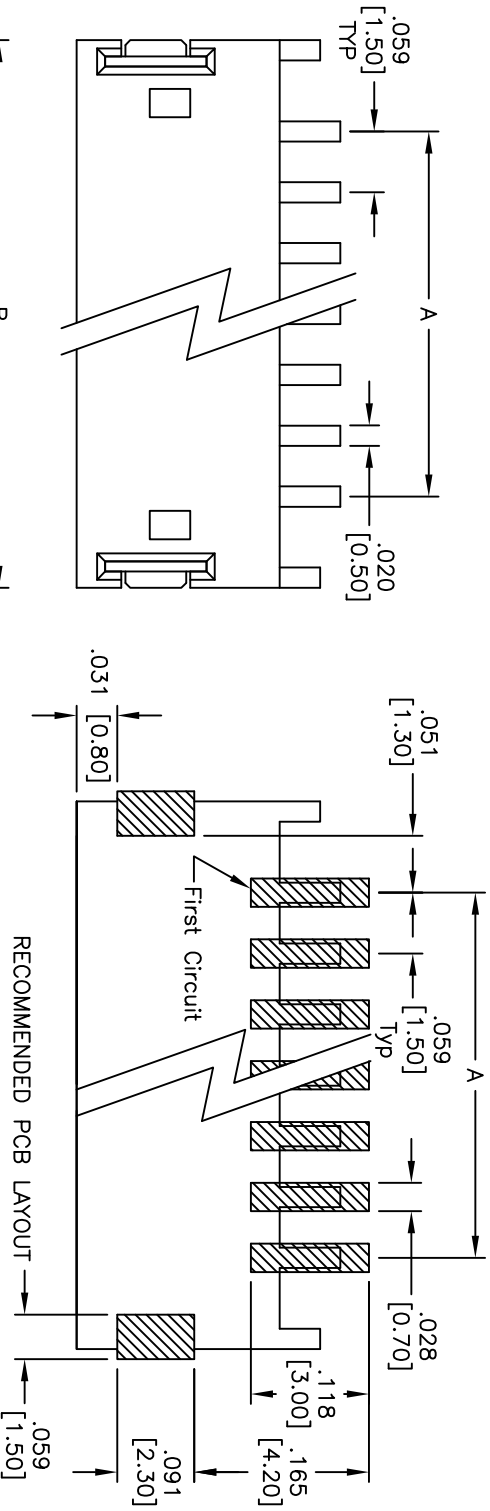


| Rev | AWO # | Description | Date | Appr |
|-----|-------|---------------|----------|------|
| - | | RELEASED | 1/31/08 | |
| A | | REVISED SHAPE | 11/04/09 | |
| B | | REVISED DIM. | 3/6/13 | |

APPROVED: _____
 DATE: _____ TITLE: _____



PACKAGED IN TUBES

SPECIFICATIONS:

Material:
 Insulator: Nylon 9T, rated UL 94V-0
 Insulator color: Ivory
 Contacts: Brass
 Plating:
 Tin over Nickel underplate overall

Electrical:
 Operating voltage: 50 VAC max
 Current rating: 1 Amps max
 Contact resistance: 20 mohms max
 Insulation resistance: 500 Mohms min
 Dielectric withstanding voltage: 500 VAC for 1 minute
 Temperature Rating:
 Operating temperature: -25°C to +85°C

Environmental:
 Lead free, RoHS compliant.

Poles: 2 thru 15
 A = .059 [1.50] x No. of (Poles-1)
 B = .059 [1.50] x No. of Poles + .118 [3.00]
 C = .089 [1.50] x No. of Poles + .024 [0.60]

UNLESS OTHERWISE SPECIFIED
 ALL DIMENSIONS ARE INCHES [MM]
 TOLERANCES: EXCEPT AS NOTED

| INCHES | HOLES |
|-------------|-------------|
| .X ± .10 | ØX ± .10 |
| .XX ± .020 | ØXX ± .015 |
| .XXX ± .015 | ØXXX ± .010 |

ADAM TECH

909 Rahway Avenue, Union, NJ 07083
 Phone: 908-687-5000 Fax: 908-687-5710

TITLE: MX1.5mm WAFER 90°, SMT

| APPROVALS | DATE |
|-----------|------|
| DRAWN | SS |
| CHECKED | |
| APPROVED | |

| SIZE | PART NO. | SCALE | SHEET | REV. |
|------|------------------|-------|--------|------|
| X | 15SH-A-XX-TR-SMT | NIS | 1 OF 1 | B |

